



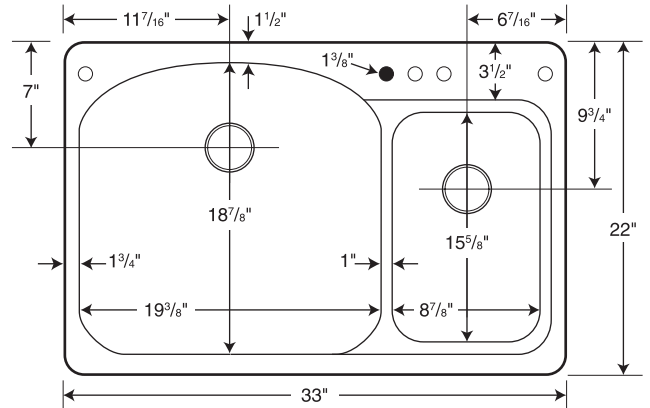
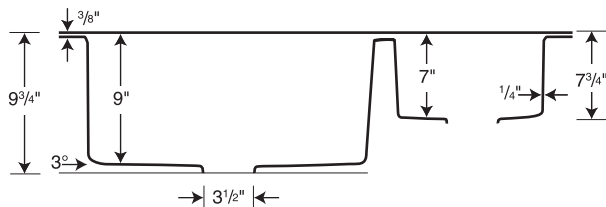
WARRANTY
 Limited Lifetime – Residential
 Limited 10-year – Commercial

Manufactured from Swanstone solid surface
 (See page 2 for detailed information.)

Recommended for high-use traffic areas and commercial surfaces.

FEATURES

- Designed with gourmet-style prep and clean-up features.
- Renewable surface will not wear away.
- Hot pots and boiling water will not damage it.
- Highest resistance of impact from heavy objects.
- Easily accommodates all faucet styles.
- Heat, stain and scratch resistant for lasting beauty.
- Matching or contrasting countertops available. Contact a Swan representative for more information.



Capacity: 13-3/4 gallons in large (left) bowl, 4 gallons in small (right) bowl

SPECIFICATIONS

KSLs-3322 Double Bowl

Model	Part	Nominal Dimensions	Ship Wt. Lb.	Ship FedEx	Carton Dims. In.	Cu. Ft.
KSLs-3322	KS03322LS	33" W x 22" D (838 mm x 559 mm)	30	FedEx	38 x 25 x 13	7.15

ACCESSORIES

- CB-22 Wood, White or Bone Polyethylene Cutting Board
- WB-DB and WB-22 Wire Basket
- BR-LS Basin Rack

See page 156 for complete listing of all kitchen sink accessories.

STANDARDS AND RATINGS

American National Standard Institute—ANSI Z124.6
 International Association of Plumbing and Mechanical Officials (IAPMO)—Listed cUPC listed—Certified to CSA Test Standard B45.5 by IAPMO
 Uniform Plumbing Code (UPC)
 National Sanitation Foundation—NSF/ANSI 51 Food Equipment Materials

For a complete list of tests and results see the Technical Data Sheet.

SUPPORT DOCUMENTS

Installation instructions available at swanstone.com.



COLORS

(See inside back cover for color sample.)

Solid Colors:

- White (010)
- Bone (037)
- Bisque (018)
- Bright White (137)
- Pearl (138)

Aggregate Colors:

- Acorn (123)
- Almond Galaxy (046)
- Arctic Granite (035)
- Baby's Breath (168)
- Barley (091)
- Bermuda Sand (040)
- Black Galaxy (015)
- Canyon (124)
- Caraway Seed (169)
- Cornflower (063)

- Glacier (121)
- Gray Granite (042)
- Indian Grass (071)
- Night Sky (012)
- Pebble (072)
- Prairie (122)
- Sierra (094)
- Tahiti Desert (050)
- Tahiti Gray (053)
- Tahiti Ivory (059)
- Tahiti Matrix (058)
- Tahiti Sand (051)
- Tahiti Terra (055)
- Tahiti White (011)
- Winter Wheat (060)

MAINTENANCE AND CLEANING INFORMATION

Clean your Swanstone sink by using abrasive cleaners or other similar products. Use of a nylon scouring pad or Mr. Clean® Magic Eraser® is also recommended. Food-based stains can be removed using a 50-50 mix of bleach and water solution and soaking for 15 minutes. For rust or other mineral stains, rust-removing products are acceptable. **Do not** use metal scouring pads.