



Manufactured from Veritek®
(See page 2 for detailed information.)

WARRANTY
Limited 1-year – Residential
Limited 1-year – Commercial

FEATURES

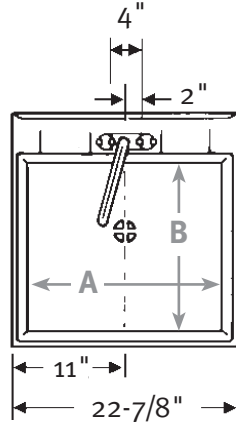
- Made of sturdy Veritek® with no surface coating to chip or crack.
- Will not mold or mildew.

MF-1F Floor Model

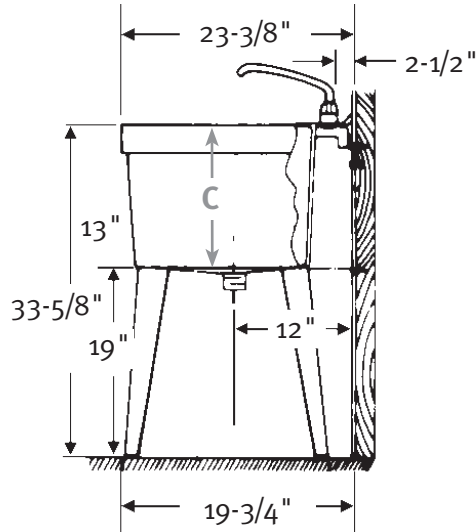
- 22-gallon capacity (83L)
- Includes four metal legs (MF-1F) or composite legs (MF-1PF)
- Pre-drilled 4" centers
- Installed drain
- Molded-in wash board

MF-1W Wall Mounted Model

- 22-gallon capacity (83L)
- Wall bracket assembly
- Pre-drilled 4" centers
- Installed drain
- Molded-in wash board



MF-1F Floor Model
23-3/8" D x 22-7/8" W
(594 mm x 581 mm)
A 22", B 19-1/8", C 12-3/4"



SPECIFICATIONS

MF-1F and MF-1W Veritek® Single Laundry Tubs

Model	Part	Dimensions	Ship Wt. Lb.	Ship FedEx	Carton Dims. In.	Cu. Ft.
MF-1F Floor Model	MF10000FM.001	23-3/8" D x 22-7/8" W (594 mm x 581 mm)	28	FedEx	24 x 24 x 24	8
MF-1PF Floor Model	MF10000PF.001	23-3/8" D x 22-7/8" W (594 mm x 581 mm)	28	FedEx	24 x 24 x 24	8
MF-1W Wall Model w/Hanger	MF10000WM.001	23-3/8" D x 22-7/8" W (594 mm x 581 mm)	28	FedEx	24 x 23 x 17	5.43
MF1-6PK (Tubs Only)	MF1000006.001	23-3/8" D x 22-7/8" W (594 mm x 581 mm)	113	—	40 x 24 x 23	12.77
LP-MF/SF-6PK	LP60000MS.000		25	FedEx	22 x 13 x 4	0.67
LPPF-MF/SF-6PK	LP60000PF.000		20	FedEx	22 x 13 x 4	0.67
WM-MF1/SF-6PK	WM60000MS.000		11	FedEx	27 x 13 x 9	1.83

COLORS

(See inside back cover for color sample.)

- White (010)

MF-1F Includes: One single tub, factory-installed drain and four metal legs with hardware.

Packaging: Packed in individual carton.

MF-1PF Includes: One single tub, factory-installed drain and four composite legs with hardware.

Packaging: Packed in individual carton.

MF-1W Includes: One single tub, factory-installed drain and wall bracket assembly.

Packaging: Packed in individual carton.

MF1-6PK Includes: Six single tubs with factory-installed drains. Legs or wall-mount brackets must be ordered separately.

Packaging: Packed in individual carton.

LP-MF/SF-6PK Includes: 24 metal legs (six sets) with hardware.

Packaging: Packed in individual carton.

LPPF-MF/SF-6PK Includes: 24 composite legs (six sets) with hardware.

Packaging: Packed in individual carton.

WM-MF1/SF-6PK Includes: Six wall bracket assemblies with hardware.

Packaging: Packed in individual carton.

STANDARDS AND RATINGS

American National Standard Institute—ANSI Z124.6
International Association of Plumbing and Mechanical Officials (IAPMO)—Listed
CSA Test Standard B45.5
Uniform Plumbing Code (UPC)

MAINTENANCE AND CLEANING INFORMATION

Clean regularly with common household liquid cleaners and a sponge or soft cloth. For hard water stains, scale removers can be used. **Do not** use abrasive cleaners or metal scouring pads.

SUPPORT DOCUMENTS

Installation instructions available at swanstone.com.

